

# Technical data sheet



## Product features

### Combi convection steam oven electric 5x GN 2/3 extra direct steam touch screen right door

<b>Model</b>	<b>SAP Code</b>	00014263
--------------	-----------------	----------



- Steam type: Injection
- Number of GN / EN: 5
- GN / EN size in device: GN 1/1, EN 600x400
- GN device depth: 65
- Control type: Touchscreen + buttons
- Display size: 7"
- Humidity control: Yes, indirect measuring
- Advanced moisture adjustment: No
- Delta T heat preparation: Yes
- Multi level cooking: Drawer program - control of heat treatment for each dish separately
- Door constitution: Vented safety double glass, removable for easy cleaning

<b>SAP Code</b>	00014263	<b>Steam type</b>	Injection
<b>Net Width [mm]</b>	637	<b>Number of GN / EN</b>	5
<b>Net Depth [mm]</b>	692	<b>GN / EN size in device</b>	GN 1/1, EN 600x400
<b>Net Height [mm]</b>	657	<b>GN device depth</b>	65
<b>Net Weight [kg]</b>	53.00	<b>Control type</b>	Touchscreen + buttons
<b>Power electric [kW]</b>	4.800	<b>Display size</b>	7"
<b>Loading</b>	400 V / 3N - 50 Hz		

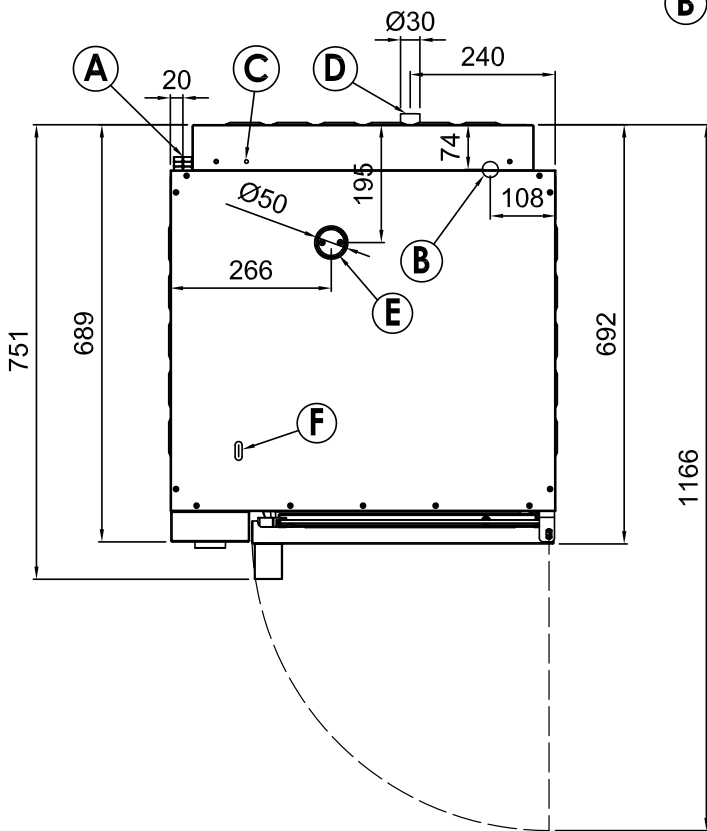
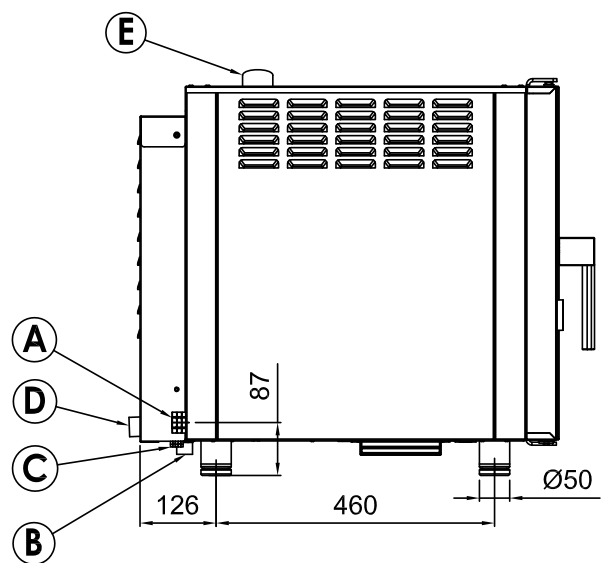
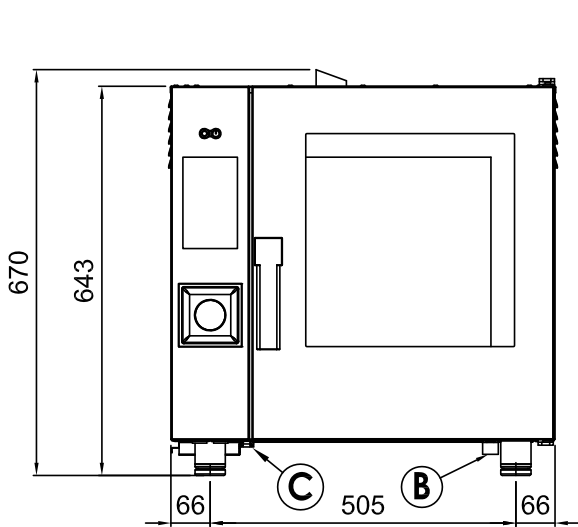
# Technical data sheet



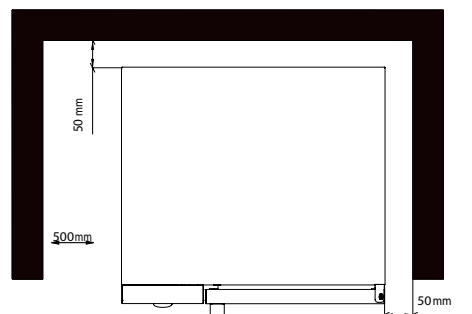
Technical drawing

Combi convection steam oven electric 5x GN 2/3 extra direct steam touch screen right door

<b>Model</b>	<b>SAP Code</b>	00014263
--------------	-----------------	----------



- A Electrical connection
- B Softened water inlet (G3/4)
- C Equipotential bonding
- D Drain (Ø30)
- E Humidity discharge (Ø50)
- F Detergent hose inlet



\* Clearance requirements

**NOTE**

\* Drain line must be vented

# Technical data sheet



## Technical parameters

### Combi convection steam oven electric 5x GN 2/3 extra direct steam touch screen right door

**Model**

**SAP Code**

00014263

**1. SAP Code:**

00014263

**2. Net Width [mm]:**

637

**3. Net Depth [mm]:**

692

**4. Net Height [mm]:**

657

**5. Net Weight [kg]:**

53.00

**6. Gross Width [mm]:**

810

**7. Gross depth [mm]:**

700

**8. Gross Height [mm]:**

780

**9. Gross Weight [kg]:**

63.00

**10. Device type:**

Electric unit

**11. Power electric [kW]:**

4.800

**12. Loading:**

400 V / 3N - 50 Hz

**13. Material:**

AISI 304

**14. Exterior color of the device:**

Stainless steel

**15. Humidity control:**

Yes, indirect measuring

**16. Stacking availability:**

Yes

**17. Control type:**

Touchscreen + buttons

**18. Additional information:**

possibility of reverse door opening - handle on the right side (must be specified when ordering)

**19. Steam type:**

Injection

**20. Sturdier version:**

Yes

**21. Chimney for moisture extraction:**

Yes

**22. Delayed start:**

Yes

**23. Display size:**

7"

**24. Delta T heat preparation:**

Yes

**25. Unified finishing of meals EasyService:**

Yes

**26. Night cooking:**

Yes

# Technical data sheet



## Technical parameters

### Combi convection steam oven electric 5x GN 2/3 extra direct steam touch screen right door

**Model**

**SAP Code**

00014263

**27. Multi level cooking:**

Drawer program - control of heat treatment for each dish separately

**28. Advanced moisture adjustment:**

No

**29. Slow cooking:**

from 50 °C

**30. Fan stop:**

Interruption when door is opened, not braked

**31. Lighting type:**

LED lighting in the door, on one side

**32. Cavity material and shape:**

AISI 304, with rounded corners for easy cleaning

**33. Reversible fan:**

Yes

**34. Sustance box:**

Yes

**35. Heating element material:**

Incoloy

**36. Probe:**

Yes

**37. Shower:**

Manual (optional)

**38. Distance between the layers [mm]:**

74

**39. Smoke-dry function:**

Yes

**40. Interior lighting:**

Yes

**41. Low temperature heat treatment:**

Yes

**42. Number of fans:**

1

**43. Number of fan speeds:**

3

**44. Number of programs:**

1000

**45. USB port:**

Yes, for uploading recipes and updating firmware

**46. Door constitution:**

Vented safety double glass, removable for easy cleaning

**47. Number of preset programs:**

100

**48. Number of recipe steps:**

9

**49. Minimum device temperature [°C]:**

50

**50. Maximum device temperature [°C]:**

300

**51. Device heating type:**

Combination of steam and hot air

**52. HACCP:**

Yes

**53. Number of GN / EN:**

5

**54. GN / EN size in device:**

GN 1/1, EN 600x400

# Technical data sheet



Technical parameters

Combi convection steam oven electric 5x GN 2/3 extra direct steam touch screen right door

Model

SAP Code

00014263

**55. GN device depth:**

65

**58. Diameter nominal:**

DN 50

**56. Food regeneration:**

Yes

**59. Water supply connection:**

3/4"

**57. Cross-section of conductors CU [mm<sup>2</sup>]:**

1

– Výkon (kW): 3,7-5 (230 V); 6,4-8,7 (400 V)